

Spare parts

5.1	Description
5.2	Spare parts
	Casing
	Covering
	Rear section
	Ventilator
	Heating Elements
	Humidifier
	Water inlet unit
	Center section
	Front section
	Front
	Door
	Lock for door

5.1 Description

In replacing any components always use original replacements.

To order spare parts, identify the model and mention the serial number on the EC rating plate of the oven.

Cites the paragraph, position, reference and description of the part to be replaced as shown in this instruction book.

For electrical components, refer also to the descriptions contained in the "electrical information" section of this manual.

Inform the authorized retailer or our service office of the description and quantity desired.

Upon receipt of your communication we will supply you with all the information relative to your request and ask your authorization to ship.

In case of parts not contemplated in the spare parts section, contact our service office.

Model

Serial number

Year of manufacture

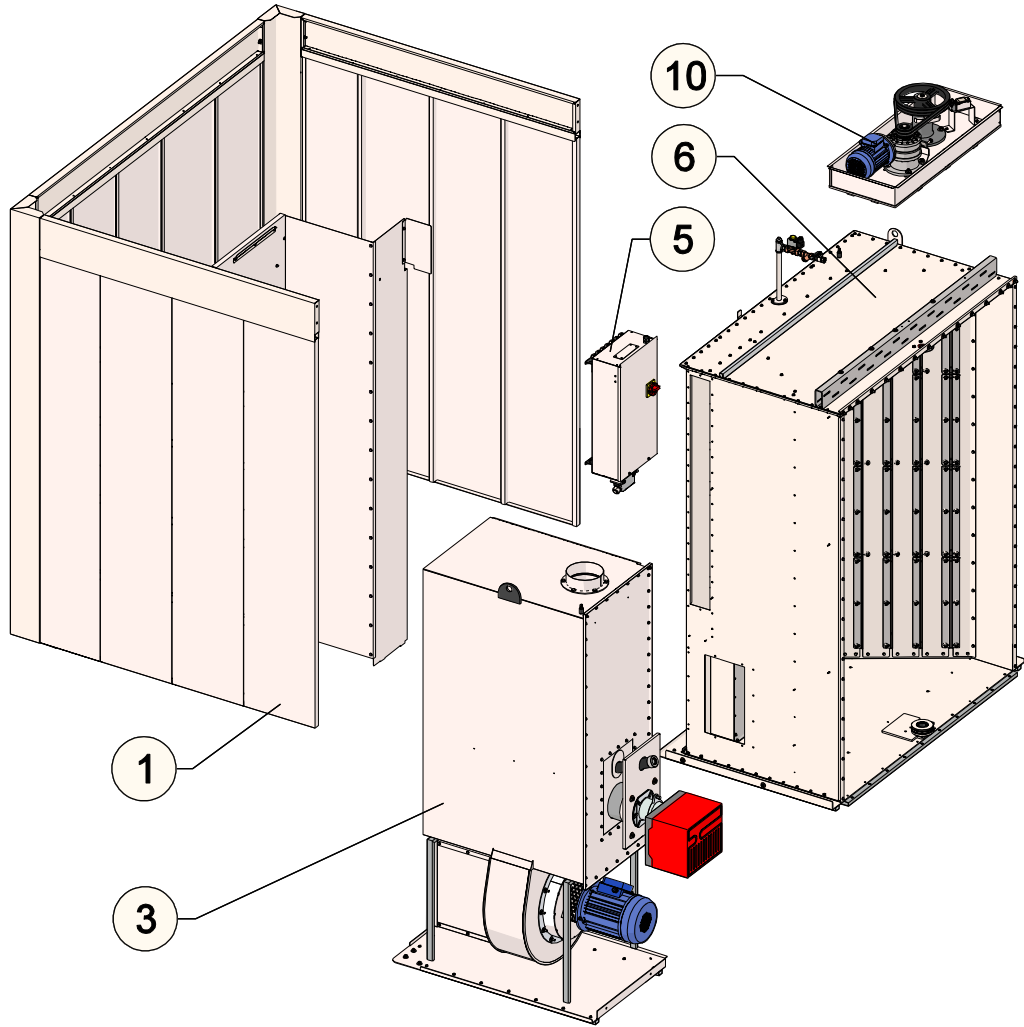
Part code number

Denomination

Quantity

5.2 Spare parts

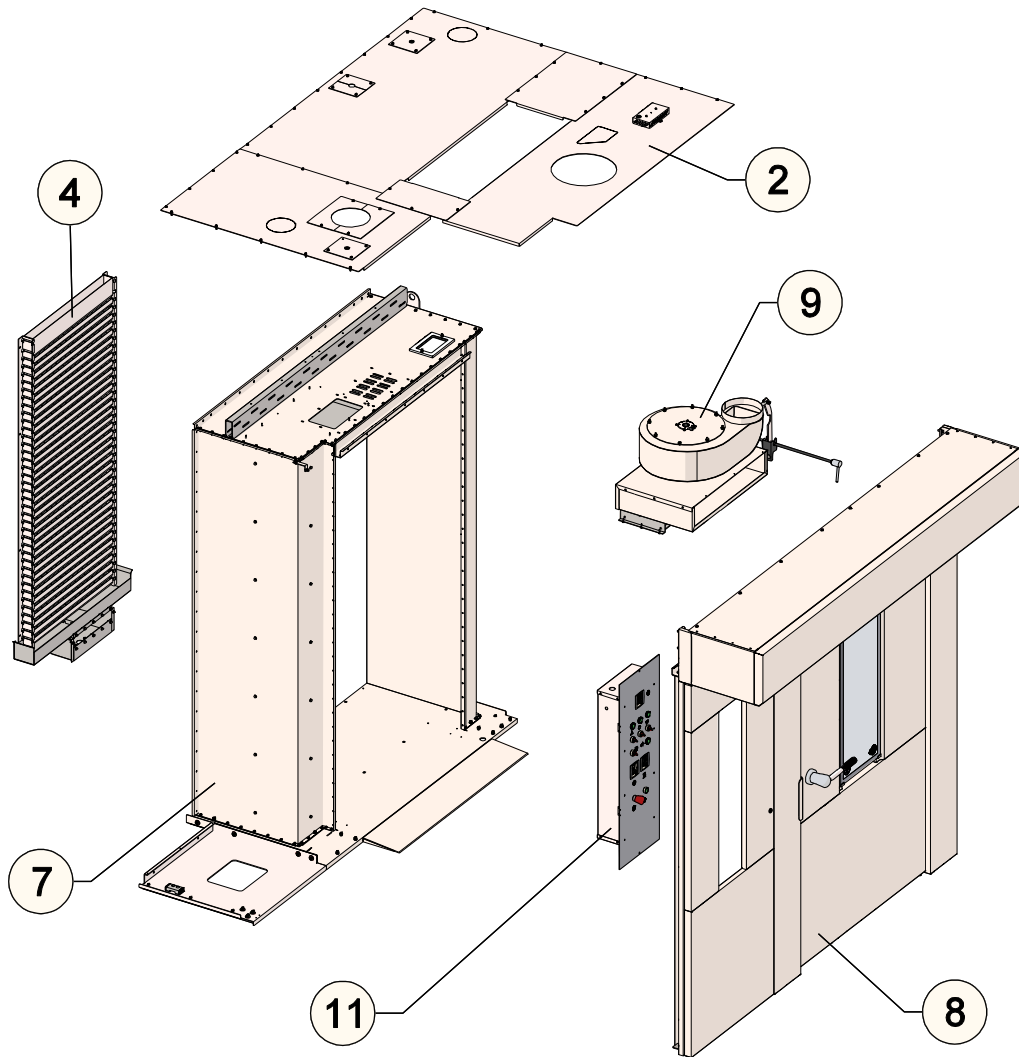
FIG.0



- 1 Casing
- 2 Covering
- 3 Rear section
- 4 Humidifier
- 5 Electric board (power section)

- pagina 6
- pagina 7
- pagina 8
- pagina 12
- see annex F





- 6** Center section
- 7** Front section
- 8** Front
- 9** Steam exhauster assembly
- 10** Rack rotation system
- 11** Electric board (control section)

Pagina 14

pagina 15

Pagina 16

see annex C

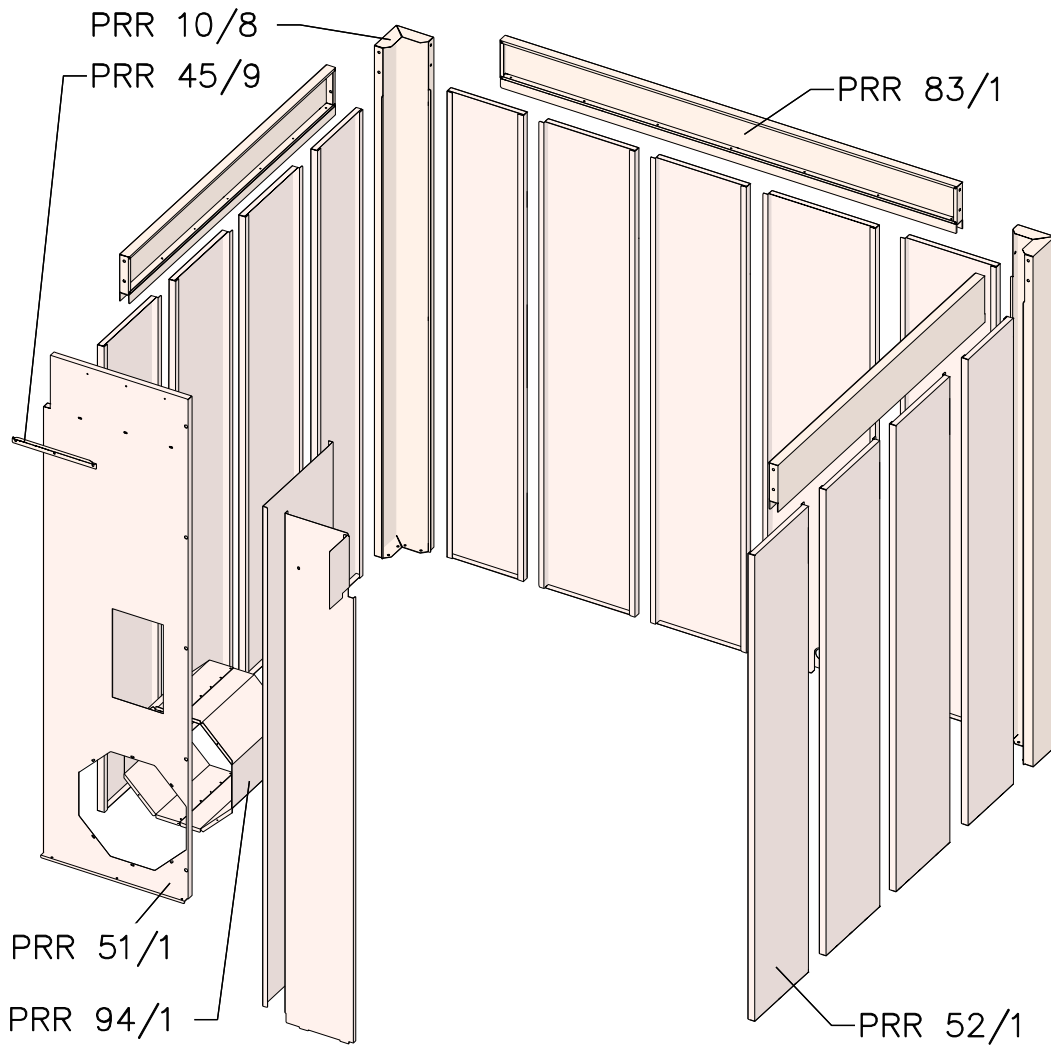
see annex D

see annex F



Casing

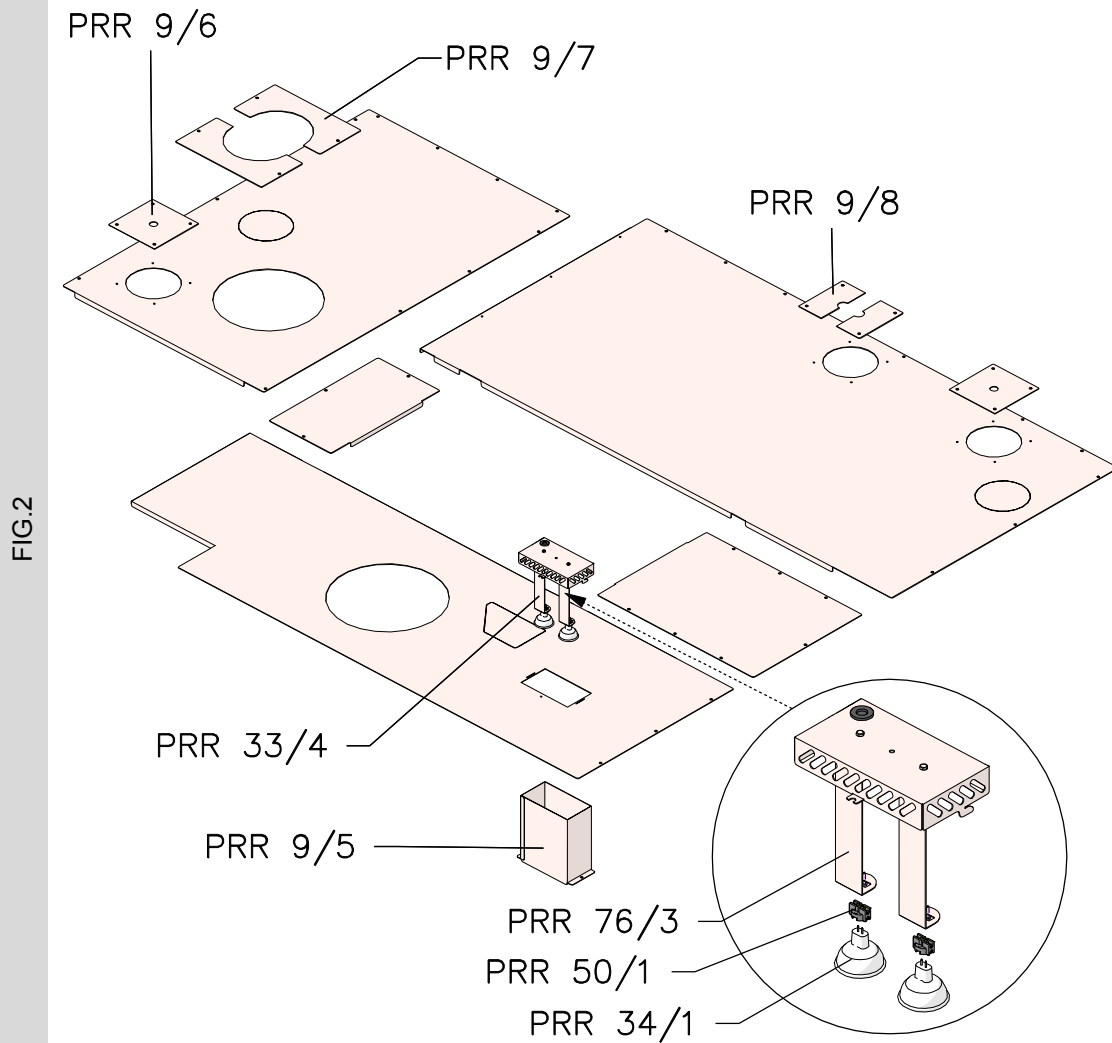
FIG.1



code

PRR 45/9	CONTROL BOX SUPPORT
PRR 10/8	REAR COLUMN FOR EXTERNAL PANELLING
PRR 83/1	EDGE FOR OUTSIDE PANELLING "UPPER"
PRR 94/1	INSULATING PIPE FOR VENTILATOR
PRR 52/1	EXTERNAL FACING PANEL
PRR 51/1	INSULATING CONTAINMENT - PAINTED STEEL - FOR BURNER

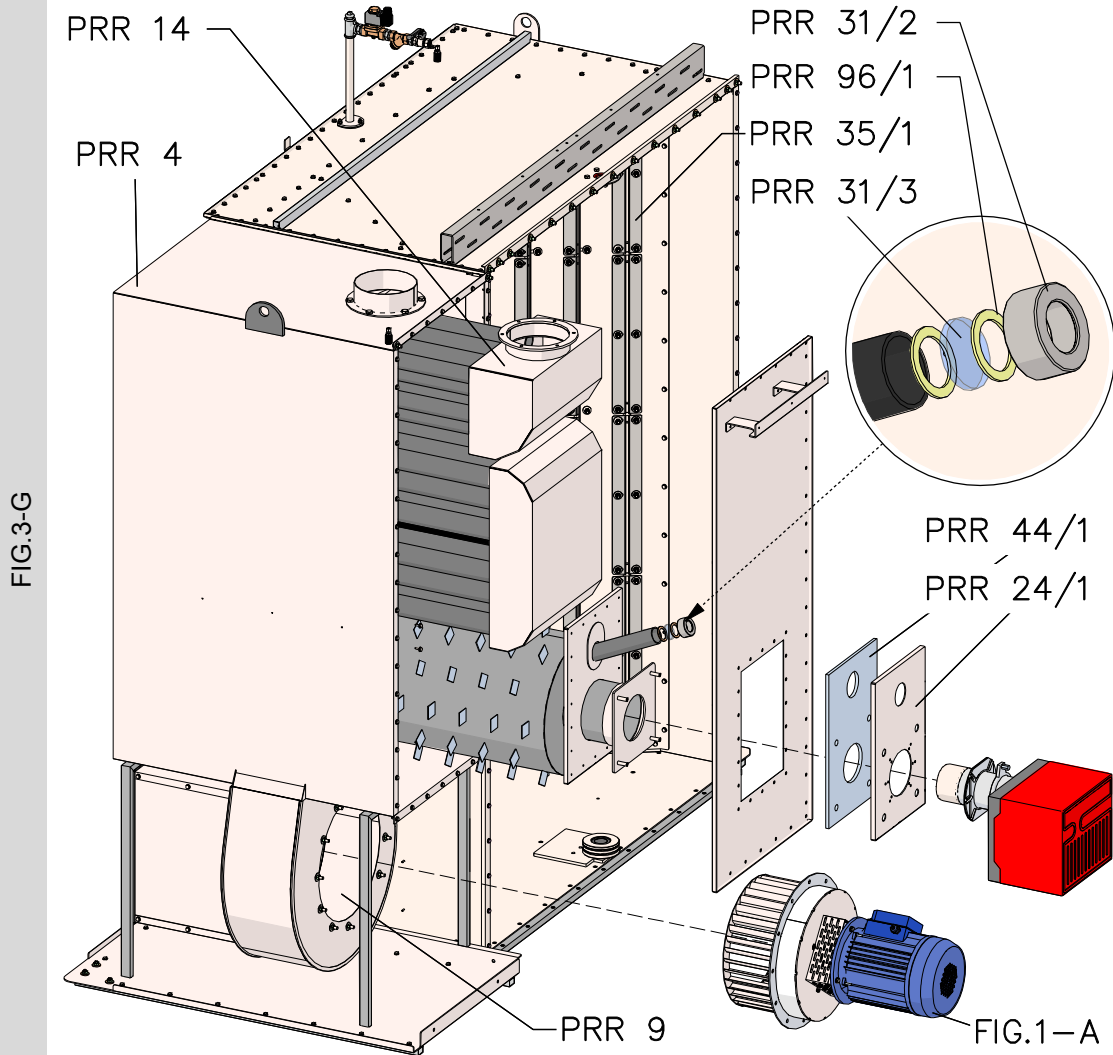
Covering



code

PRR 9/6	COVER FOR FEELER HOLE
PRR 9/7	COVER FOR CHIMNEY PIPE HOLE
PRR 9/8	COVER FOR WATER INLET PIPE HOLE
PRR 9/5	INSULATING CONTAINMENT FOR OVEN ILLUMINATION UNIT
PRR 33/4	COMPLETE OVEN ILLUMINATION UNIT
PRR 76/3	BRACKET FOR HALOGENOUS LAMP HOLDER
PRR 50/1	LAMP HOLDER FOR HALOGENOUS LAMP
PRR 34/1	OVEN ILLUMINATION HALOGENOUS LAMP

Rear section (for combustion oven)

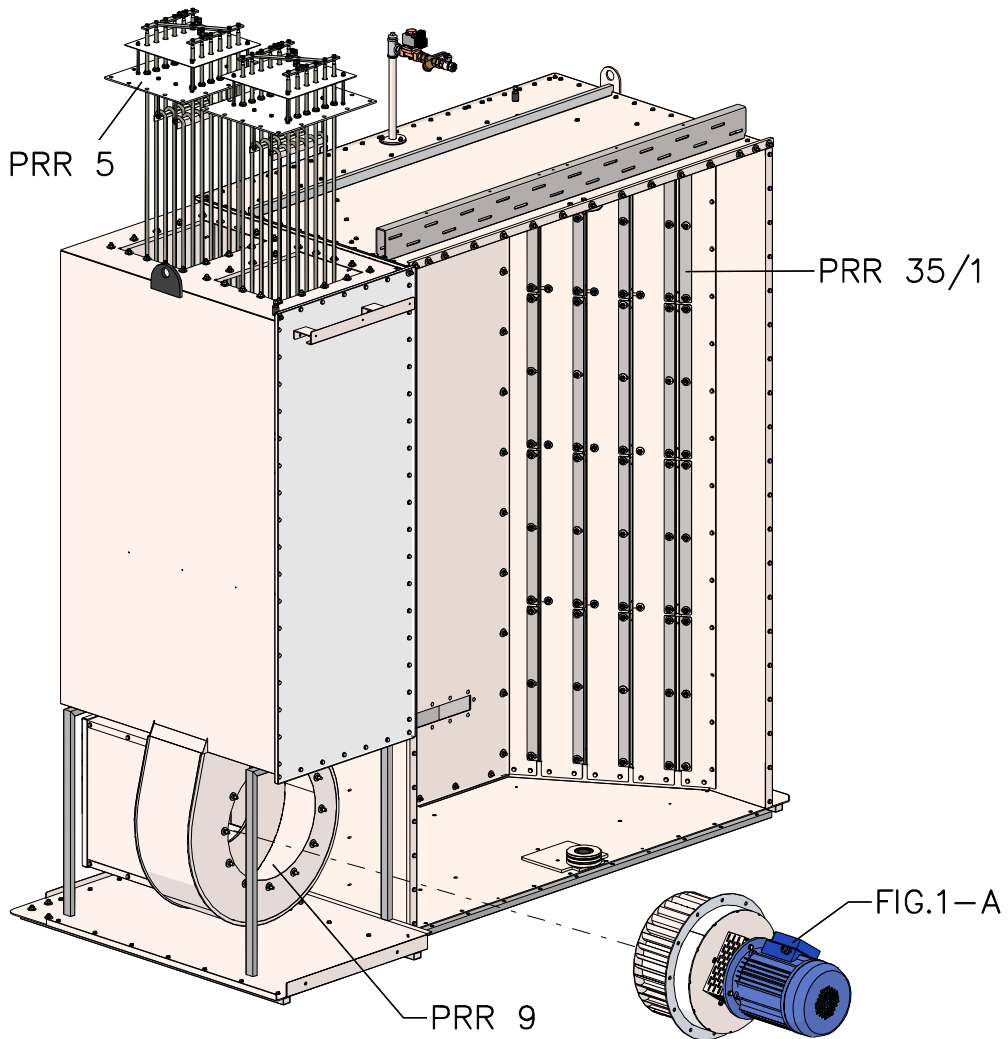


code

PRR 4	COMBUSTION CHAMBER BLOCK
PRR 9	VENTILATOR HOUSING
PRR 14	COMBUSTION CHAMBER
PRR 24/1	FLANGE FOR BURNER INSULATING CONTAINMENT
PRR 44/1	INSULATING BURNER PLATE TH. 10 mm
PRR 31/2	RING NUT FOR INSPECTION SPY HOLE COMBUSTION CHAMBER
PRR 96/1	SPY HOLE GLASS FOR COMBUSTION CHAMBER
PRR 31/3	GASKET FOR INSPECTION GLASS
PRR 35/1	AIR FLOW ADJUSTING SLOT

Rear section (for electric oven)

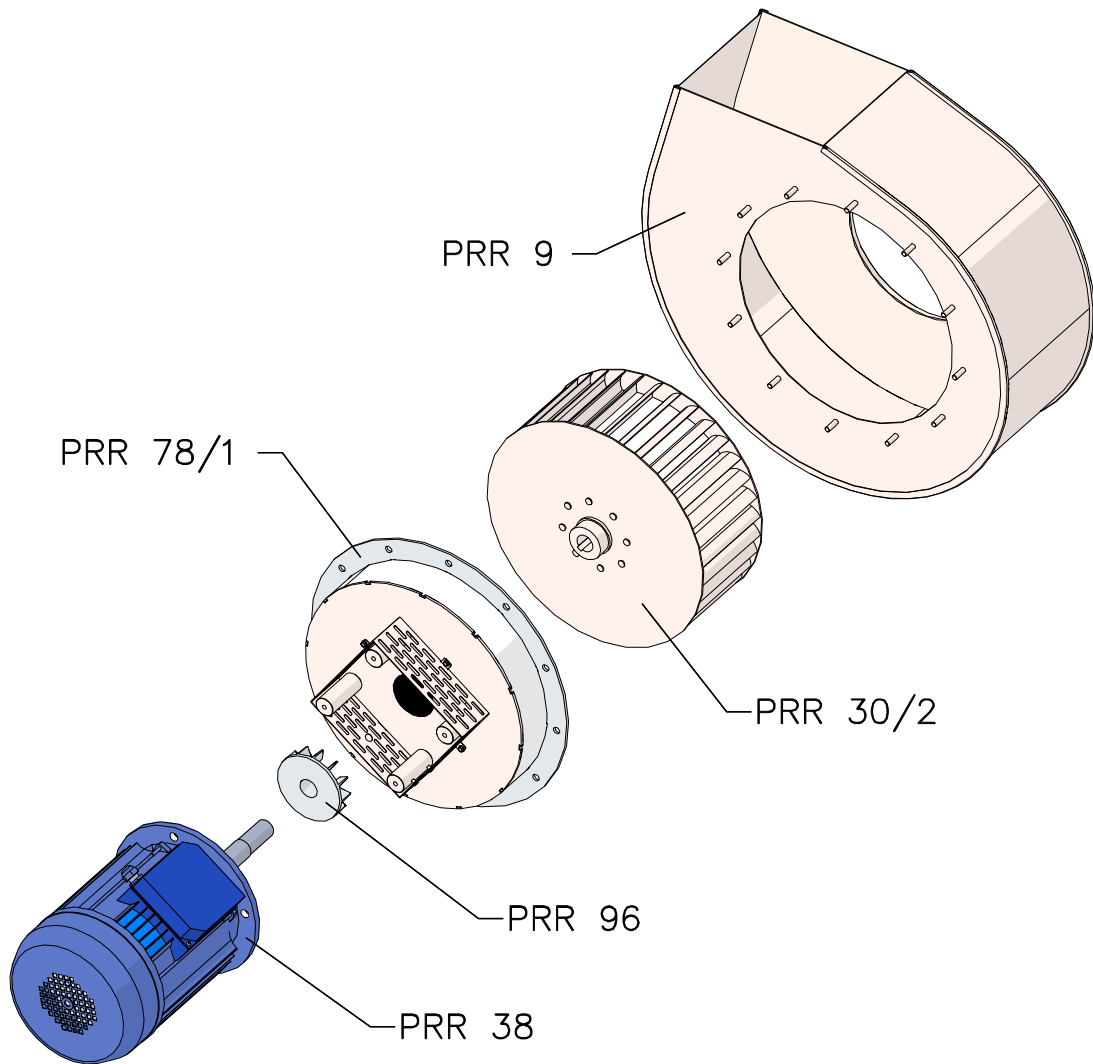
FIG.3-E



code	
PRR 5	HEATING ELEMENTS SET
PRR 9	VENTILATOR HOUSING
PRR 35/1	AIR FLOW ADJUSTING SLOT

Ventilator

FIG.1-A

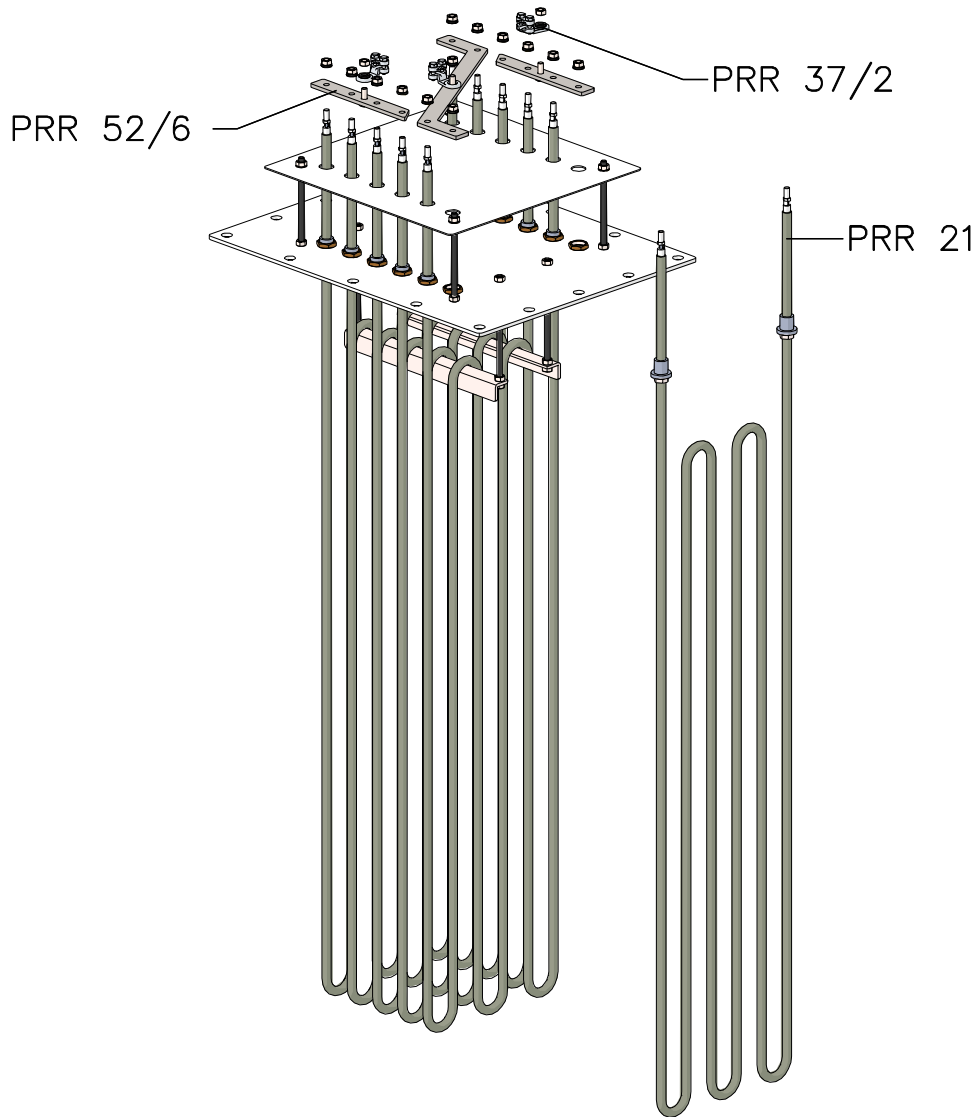


code

PRR 9	VENTILATOR HOUSING
PRR 30/2	IMPELLER FOR VENTILATOR
PRR 78/1	MOUNTING PLATE FOR BLOWER - ROTATIVE OVEN
PRR 96	COOLING FAN
PRR 38	VENTILATOR MOTOR FOR ROTATIVE OVENS

Heating Elements

PRR 5



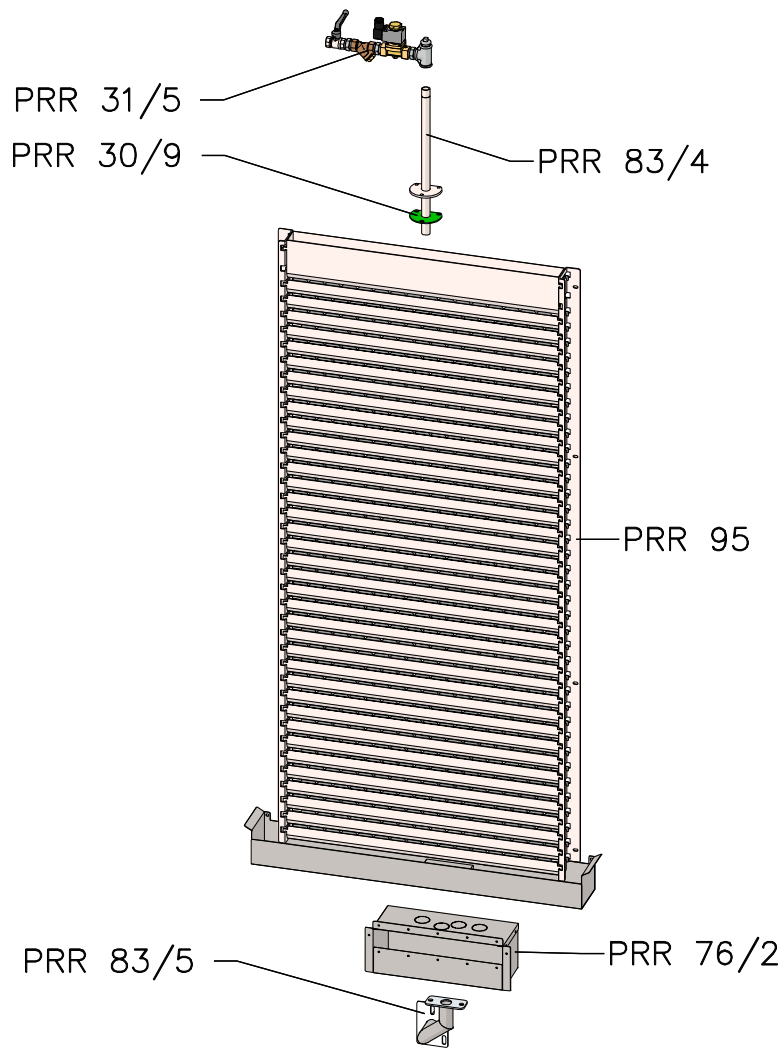
code

PRR 21	HEATING ELEMENT
PRR 52/6	BRIDGE FOR HEATING ELEMENTS
PRR 37/2	TERMINAL FOR HEATING ELEMENTS CONNECTION

MADE IN ITALY

Humidifier

FIG.4

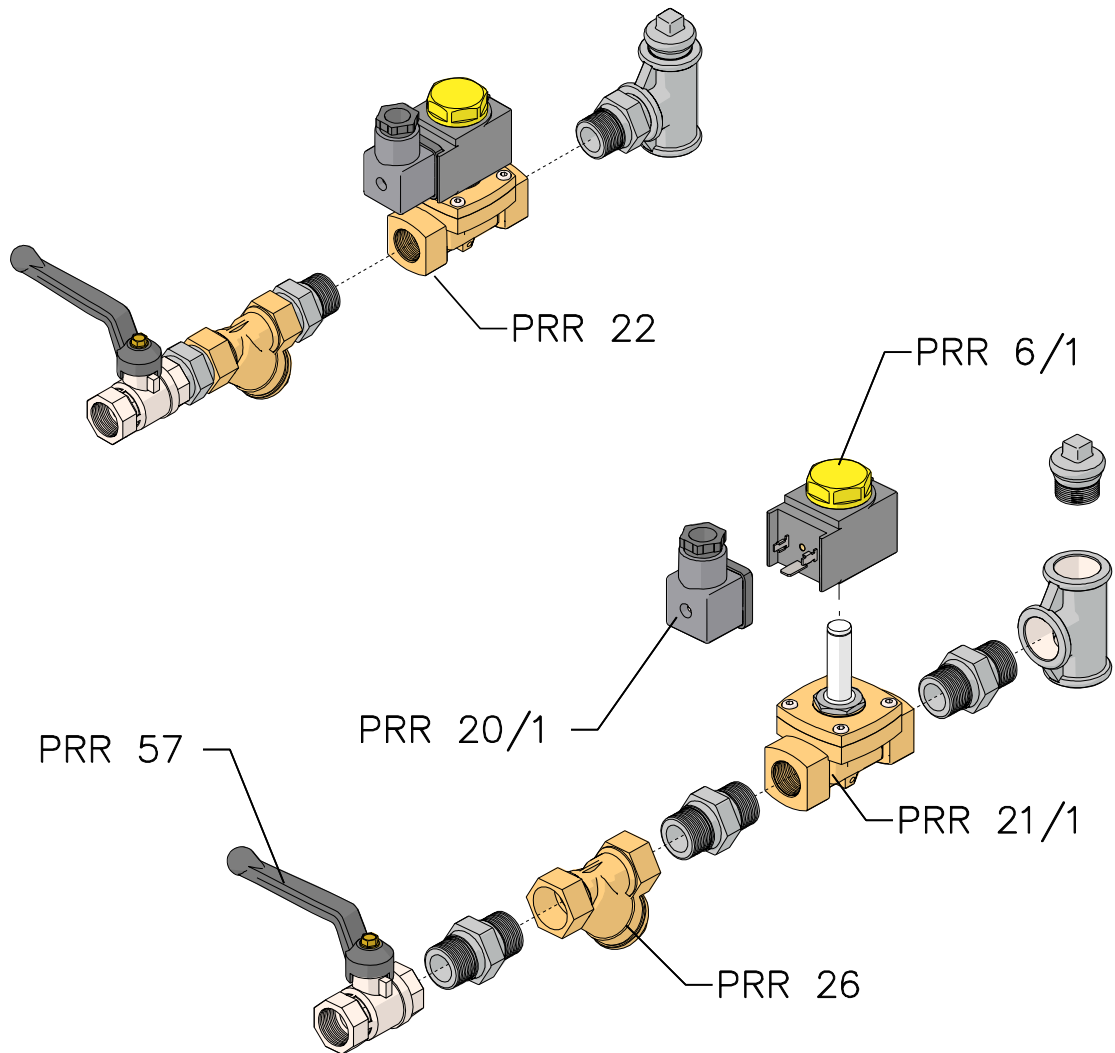


code

PRR 31/5	WATER INLET COMPLETE UNIT
PRR 83/4	WATER INLET PIPE
PRR 30/9	WATER INLET GASKET
PRR 95	STEAM GENERATOR
PRR 76/2	CONDENSATE DRAINAGE BOX
PRR 83/5	WATER DRAINAGE PIPE FOR STEAM GENERATOR

Water inlet unit

PRR 31/5



code

PRR 6/1	SOLENOID VALVE COIL
PRR 20/1	CONNECTOR FOR WATER VALVE
PRR 57	WATER INLET SHUTTER
PRR 26	WATER SOLENOID VALVE FILTER
PRR 21/1	WATER SOLENOID VALVE (ONLY VALVE)
PRR 22	WATER SOLENOID VALVE - COMPLETE

Center section

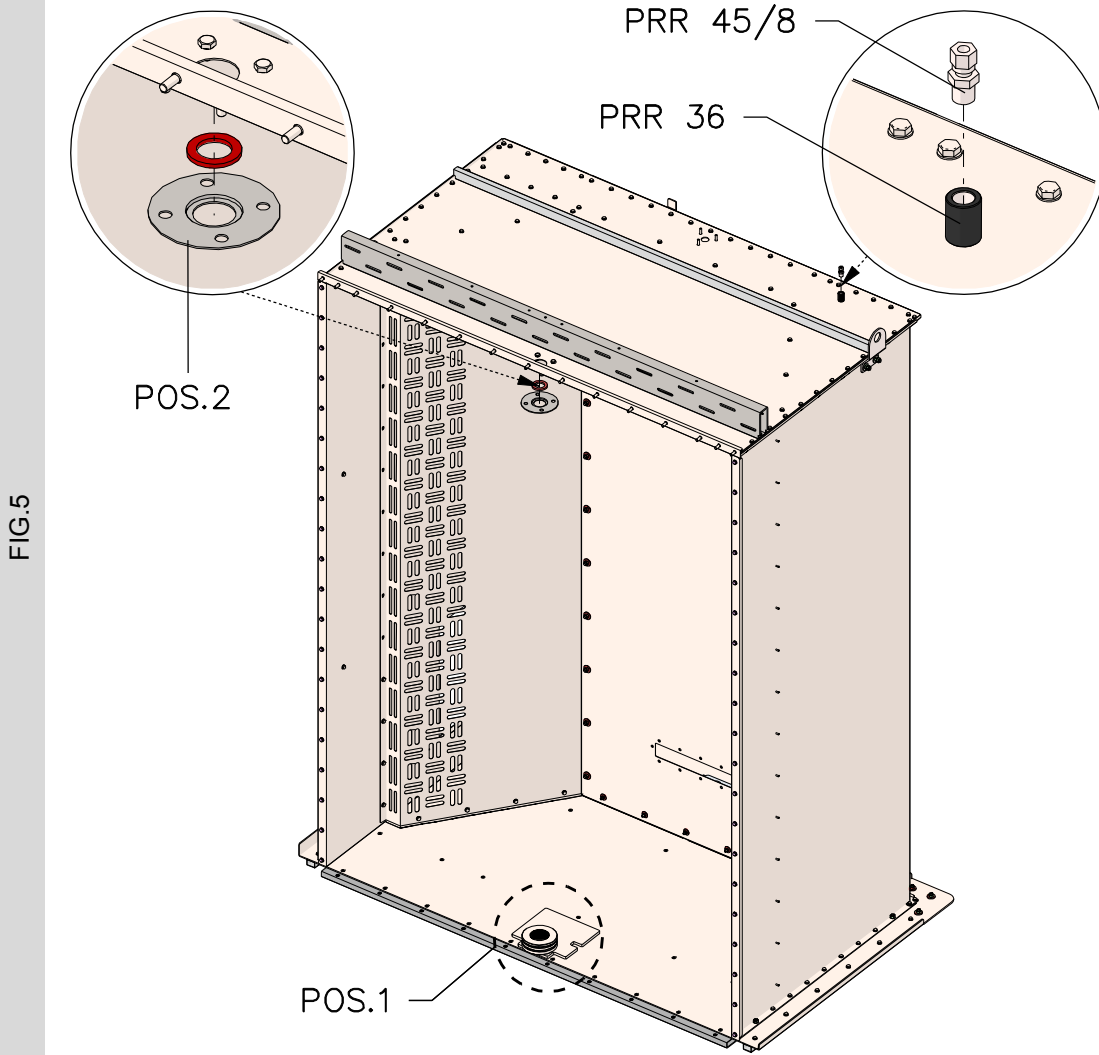


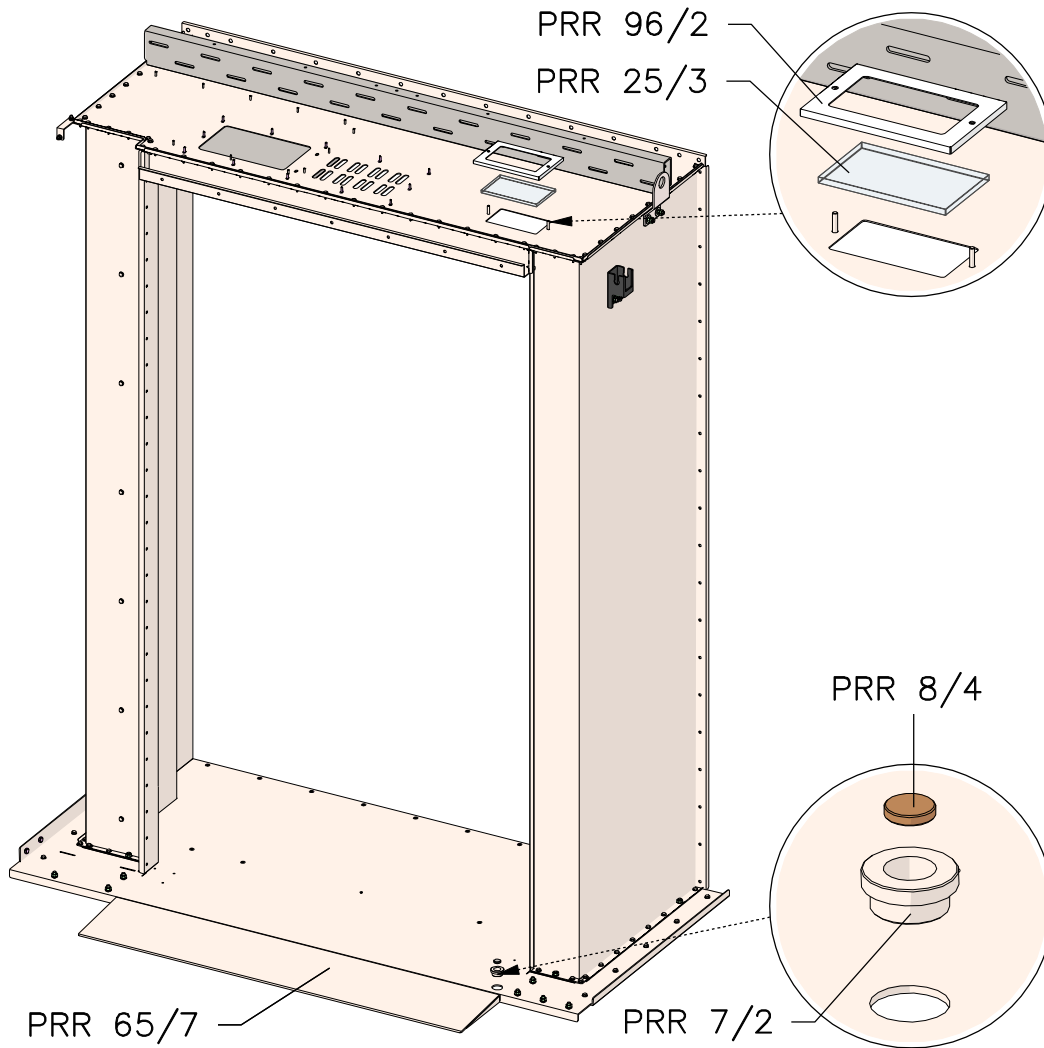
FIG.5

code

PRR 45/8	CABLE CLAMP
PRR 36	SLEEVE FOR FEELER HOLDER
POS.1	SEE ANNEX "D"
POS.2	SEE ANNEX "D"

Front section

FIG.6

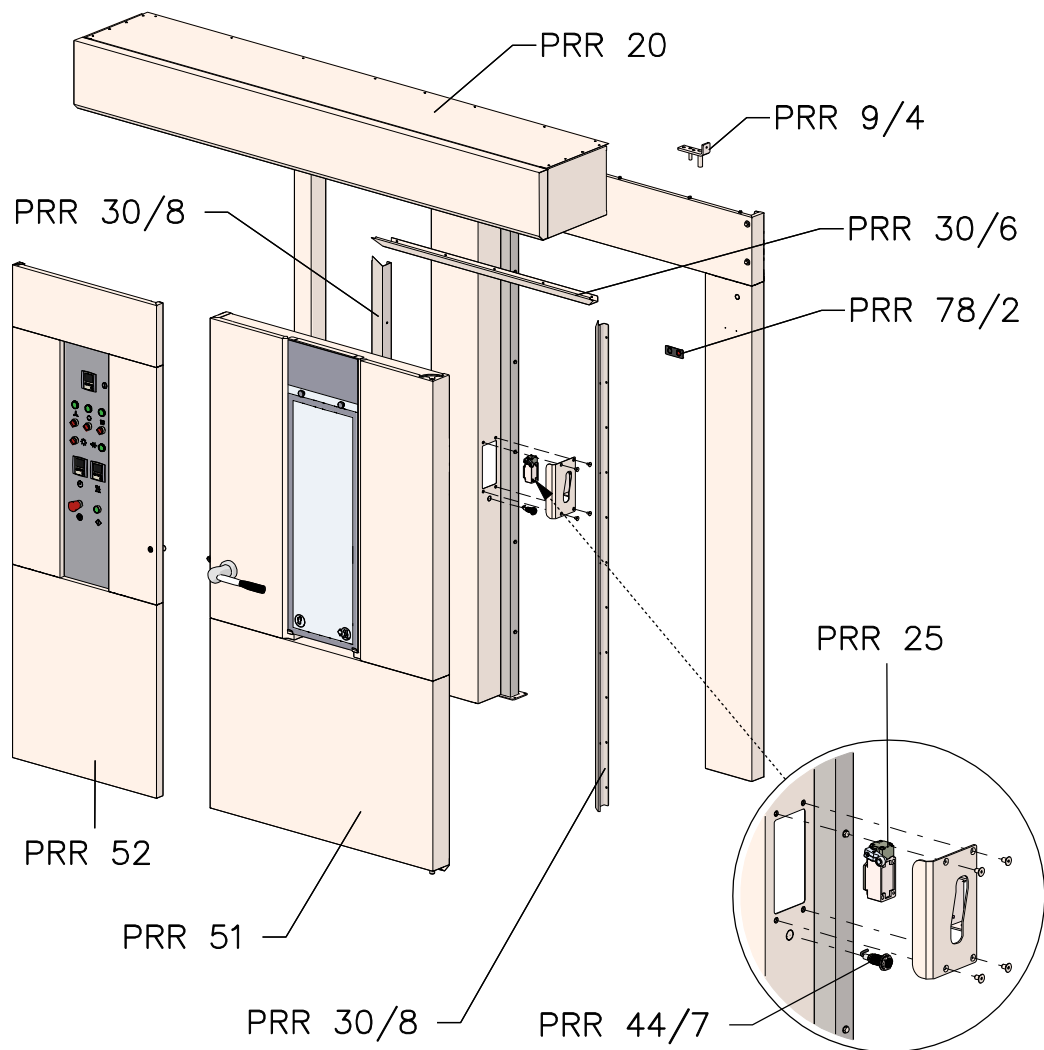


code

PRR 65/7	RAMP FOR RACK ENTRY
PRR 8/4	BRASS BUSHING FOR UNDERDOOR
PRR 7/2	STEEL BUSHING FOR DOOR
PRR 25/3	FLANGE FOR LAMP GLASS
PRR 96/2	LIGHT GLASS

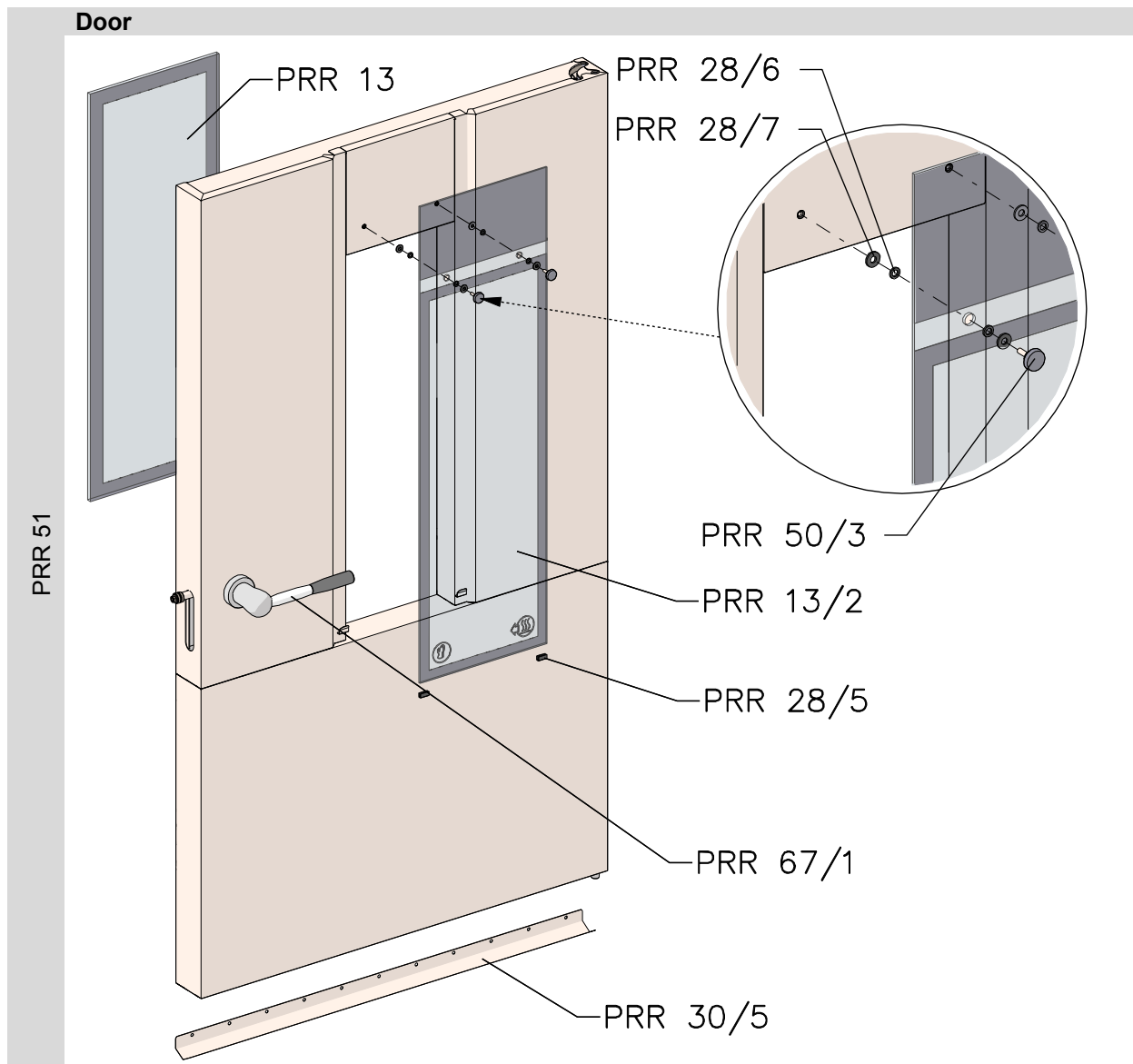
Front

FIG.7



code

PRR 51	DOOR FOR ROTATIVE OVEN
PRR 30/8	DOOR GASKET "LATERAL" - STAINLESS STEEL
PRR 30/6	DOOR GASKET "UPPER" - STAINLESS STEEL
PRR 78/2	PLATE "OPEN-CLOSED"
PRR 9/4	UPPER DOOR HINGES
PRR 25	LIMIT SWITCH
PRR 92/2	OVEN NAME PLATE
PRR 20	HOOD FOR ROTATIVE OVEN
PRR 52	SERVICE DOOR
PRR 44/7	PROXIMITY



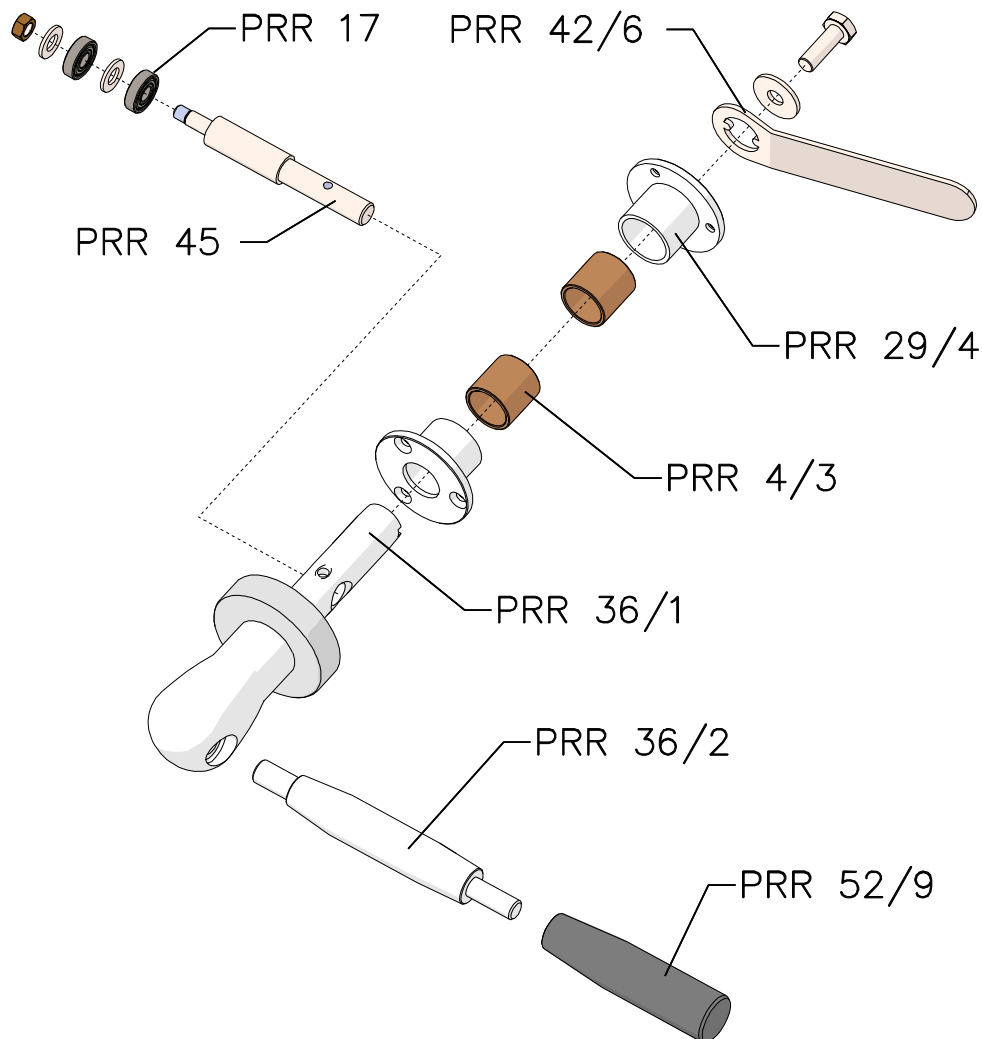
code

PRR 67/1	DOOR LOCK
PRR 13	DOOR GLASS - INTERNAL - FOR DOOR WITH SHORT WINDOW
PRR 13/2	DOOR GLASS - EXTERNAL - FOR OVEN WITH SHORT WINDOW
PRR 30/5	DOOR GASKET "BOTTOM" - STAINLESS STEEL
PRR 50/3	SCREW WITH BLACK KNOB
PRR 28/5	LOWER GLASS SUPPPORT GASKET
PRR 28/6	GLASS FIXING LITTLE ROUND GASKET
PRR 28/7	GLASS FIXING LARGE ROUND GASKET

MADE IN ITALY

Lock for door

PRR 67/1



code

PRR 17	BEARING FOR DOOR LOCK
PRR 45	PIN FOR DOOR HANDLE
PRR 52/9	DOOR HANDLE, BLACK BAKELITE HILT
PRR 36/2	DOOR HANDLE - HILT IN CHROMIUM-IRON
PRR 36/1	DOOR HANDLE - CENTRAL PART WITH PIVOT
PRR 4/3	BUSHING FOR DOOR HANDLE
PRR 29/4	RING NUT FOR DOOR HANDLE SUPPORT
PRR 42/6	INTERNAL DOOR HANDLE